



LET'S COOK TOGETHER

OUR DREAMFIRE® GRILLS



LET'S COOK TOGETHER!

DREAMFIRE

LET'S COOK TOGETHER!

DREAMFIRE
dreamfiregrill.com

DREAMFIRE
dreamfiregrill.com





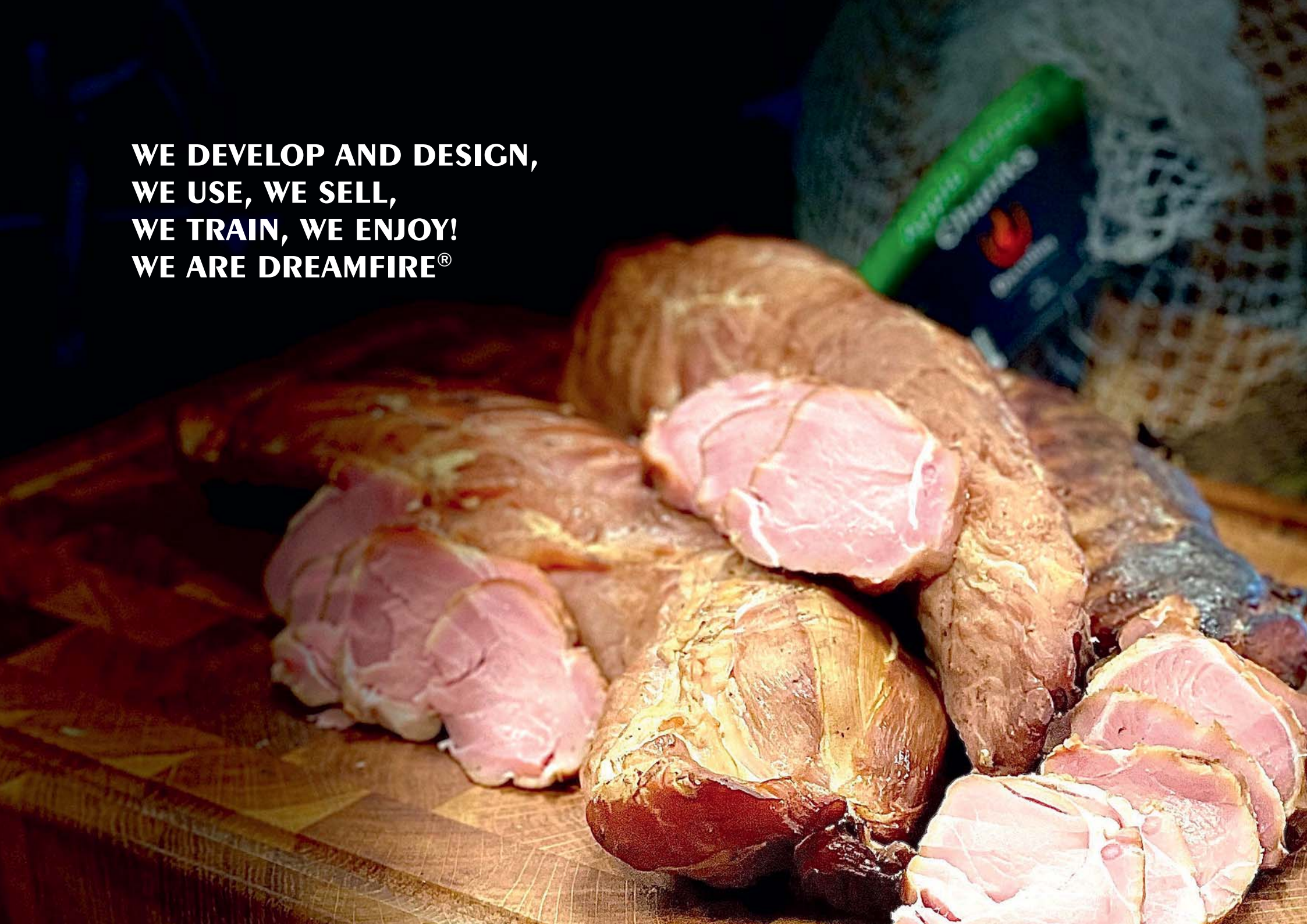
**DREAMFIRE KAMADOS ARE CREATED
BY BARBECUE FANS FOR OTHER BARBECUE FANS.
OUR GRILLS ARE ALL DESIGNED IN ESTONIA.**

Our goals: to continue growing and reaching a strongest kamado brand in Europe.

To have a well-known name in the grill enthusiast groups and becoming a place where you only not getting your kamado, but you also get best knowledge how to use your grill.

We are strong name if we have trained users and we have best quality.
Let`s start a new era together with a best result possible.

**WE DEVELOP AND DESIGN,
WE USE, WE SELL,
WE TRAIN, WE ENJOY!
WE ARE DREAMFIRE®**



WE DEVELOP AND DESIGN:

We are getting feedback from a user's, we are listening and making improvements. We are designing our Dreamfire® kamados in the style so the neighbors are looking for your terrace and wanting the same kamado.

We are learning each Dreamfire® model with our team, putting the kamados to their limit. We use that knowledge to develop a better quality and best results.

We understand mistakes and learning from them. We are not accepting errors and fixing them in a first order.

WE USE:

We are BBQ fans. We love grilling and being outside. We love good food and company.

We are making together with chefs a best food possible with our Dreamfire® kamados.

We try everything from vegetables to sweet desserts.

We do trainings together and encourage everybody to try out something new.

We make each grill event with a passion and knowledge.

We are believing in our brand, and we are the ambassadors for Dreamfire®.

WE SELL AND WE TRAIN:

We sell our grills in the best dealers in Europe.

We do not accept bullying or black marketing.

We are training the retailer staff and giving them a whole picture with a demo Day.

We are in contact with a dealer always, we are checking in.

We are focusing for the selling the best product not the volume.

We have the best warranty warehouse, and we solve all errors fast.

WE ENJOY!

There is nothing better than a perfectly cooked food. Best BBQ comes from Dreamfire® Comfy kamado. Best smoked meats and fish is made inside of our Dreamfire® Smokey II kamado. Best leg of lamb comes from our giant Dreamfire® Trendy MAX kamado. Best seared stakes are made with our Dreamfire® Trendy Home kamado and the best pizzas are coming out from our Dreamfire®Trendy Classic kamado.

And the best desserts are always the faces of the happy people who have eaten their best BBQ food from Dreamfire® grills.



DREAMFIRE® KAMADO MUST BE:

- Affordable. That means that in the same price range Dreamfire kamado is the best option for the value.
- Strong Quality. We must have the quality better than other kamados within the same price range. No squeaking hinges, strong casket, and comfortable handle. The best quality thermometer possible.
- Visual look. Our kamado must be something that everybody wants. If you see it in the neighbor's yard, you want one.
- Easy to control. You could do Ham and keeping kamado on the low temperature range or searing stake or making pizza, Dreamfire® kamado must keep the given temperature range for a long period of time. Making BBQ for 12 hours should be walk in the park.
- Lots of utensils, grates, and extras. That means whatever you dream to do, this will be possible. Cooking systems, different grates, pizza stones etc.
- Best warranty available. Always has a stock of the warranty details. Client must get everything solved fast and continue using Dreamfire® kamado.
- Futuristic and fun. Every detail must be better than a competitor on the market. Gadgets must be cool looking and fun to use. Our Dreamfire® kamado must be visually ahead of time.



DREAMFIRE® **KAMADO SMOKEY II**



Short description:

Dreamfire® Kamado Smokey II is the upgraded version of the popular original Smokey model – a true game changer in the kamado world. **Dreamfire® Kamado Smokey II** is designed for the serious grill enthusiast who appreciates every small detail and wants the best materials and top of the line functionality from their kamado. **Dreamfire® Kamado Smokey II** was created by barbecue fans for other barbecue fans. **Dreamfire® Kamado Smokey II** is also a winner of a Grillfest BBQ contest 2021.

Long description:

Dreamfire® Kamado Smokey II's extra-thick ceramic body retains the moisture and smoke from the charcoal, leaving the food particularly soft and delicious. Thanks to the thick ceramics, the **Dreamfire® Kamado Smokey II** is suitable for use even in the heart of winter. **Dreamfire® Kamado Smokey II** maintains a constant temperature for hours without having to adjust the vents – smoke ham or cook pulled pork for up to 20 hours without worries. The oval shape of the grill makes airflows inside the kamado perfect for cooking.

Easy to assemble – Dreamfire® Kamado Smokey II comes mostly pre-assembled in the package – all you have to do is assemble the legs and bolt the handle and side shelves to the grill. Everything else is already assembled. It does not take more than 30 minutes to assemble.

Specifications:

- Color: Night Sky
- The outer diameter of the grill is 56.5 cm
- Inner diameter of the grill is 50 cm
- Diameter of the grill grate is 47 cm
- Total grilling area at one level 1735 cm² ; with three levels of the LUX PRO system 5205 cm²
- 5 years warranty
- Exclusive design

Dreamfire® Kamado Smokey II is a unique top range kamado with the following features:

Three-tiered improved Cooking System LUX PRO – Three cooking levels plus a special bottom level for the perfect sear, 6 heavy-duty half-moon stainless steel grates, 2 ceramic half-moon heat deflectors and comfortable handles to lift the system.

Innovative stainless steel top vent – It is designed to prevent any rain from getting in while also offering superior control to all the competition. The vent comes with a heatproof handle for worry-free heat control.

Smoking chip feeder – Now you can add chips through the opening in the Dreamfire Kamado Smokey II's ceramic body. As a result, moisture, smoke and obviously heat in the kamado do not escape into air.

Ash basket – With an ash basket, there is never a problem that the cast iron plate on the bottom of your kamado is covered with an ash layer, which prevents the charcoal from burning efficiently.

Dreamfire Meatspotter 100 Bluetooth thermometer – Our Bluetooth thermometer Meatspotter 100 gives you the peace of mind to take care of your own things until the Smokey II cooks food for you.

Multi-piece ceramic firebox – Dreamfire® Kamado Smokey II comes with a unique multi-piece firebox that is already assembled at the factory and is conveniently located in a metal frame. The multi-part firebox withstands large temperature changes, and you never have to worry again about your firebox accidentally cracking.

Extra thick stainless-steel grates – Dreamfire® Kamado Smokey II comes with unprecedentedly thick stainless steel grill grates that act almost like cast iron in retaining heat.

Stainless steel details – Dreamfire® Kamado Smokey II comes with high-quality stainless steel (304) details such as vents, cart, handle and metal belts.

Stainless steel cart with extra durable wheels – Dreamfire® Kamado Smokey II comes with a stainless-steel cart equipped with high-quality wheels, so that your kamado has a stylish home and you can move it comfortably.

Extra thick and dense ceramics – Dreamfire® Kamado Smokey II ceramic body is made of extra thick and extra dense ceramics, which makes the Dreamfire® Kamado Smokey II particularly durable and retains heat better than other kamado type grills.

Wooden sideboards with hooks – Removable wooden sideboards give you a work surface where you can conveniently place your accessories. The hooks make it easy to hang your grill tongs, ash tools, chip tube and more.

Rain cover – With Dreamfire® Kamado Smokey II, you get a high-quality rain cover that keeps your kamado clean and protects it from UV radiation, rain and pollen.

Wood chip tube and ash tool – The set includes a chip tube and ash tool.



DREAMFIRE® KAMADO COMFY BLACK



Short description:

Allow your backyard cooking to reach a new level thanks to the Comfy series. These grills are designed to look modern and sleek next to your home, while the capabilities exceed your expectations. Juicy meats, caramelized vegetables, crispy pastries – with the Dreamfire Comfy kamado grill, the only limit is your own imagination! Dreamfire Comfy kamado grill is also a Estonian champion 2021 (Winner in Vanamõisa BBQ festival).

Long description:

Dreamfire Kamado Comfy ceramic body is made of extra thick and extra dense ceramics, which makes the Dreamfire Kamado Comfy particularly durable and retains heat better than other kamado type grills. Thick ceramic keeps the outside of the grill cooler than metal grills and is therefore also safer.

All new exclusive hexagonal exterior design – now with more color options than ever!

Don't settle with boring looks. With the Comfy models you can be sure that you will get a unique design while not compromising on the functionality or quality.

Specifications:

- Color: Black
- The outer diameter of the grill is 56.5 cm, the inner diameter of the grill is 50 cm and the diameter of the grill grate is 47 cm, the total grilling area at one level 1735 cm²; with two levels of the LUX PRO system 3470 cm²
- 5 years warranty
- Exclusive design

The Dreamfire Kamado Comfy has the following features:

All new exclusive hexagonal exterior design – now with more color options than ever!

Don't settle with boring looks. With the Comfy models you can be sure that you will get a unique design while not compromising on the functionality or quality.

Dreamfire Meatspotter 100 Bluetooth thermometer – Our bluetooth thermometer Meatspotter 100 gives you the peace of mind to take care of your own things until the Comfy cooks food for you.

Dreamfire Ash tool – Makes removing the ash from the bottom drawer a breeze. Also great for arranging lit charcoal around the firebox.

Two-tiered cooking system LUX PRO – Two cooking levels plus a special bottom level for the perfect sear, 4 heavy-duty half-moon stainless steel grates, 2 ceramic half-moon heat deflectors and comfortable handles.

Extra thick stainless steel grates – Dreamfire Kamado Comfy comes with unprecedentedly thick stainless steel grill grates that act almost like cast iron in retaining heat. They also have an extremely long lifetime due to the thick material.

Stainless steel top vent with a rain cover – The Comfy top vent has a long handle with a heat-proof tip, making it easy and safe to control.

Stainless steel grill cart – Dreamfire Kamado Comfy comes with a stainless steel cart equipped with high-quality wheels, so that your kamado has a stylish home and you can move it comfortably.

Stainless steel details – Comfy comes with high-quality stainless steel (304) details such as vents, cart, handle and metal belts.

Rain cover – With Dreamfire Kamado Comfy, you get a high-quality rain cover that keeps your kamado clean and protects it from UV radiation, rain and pollen.

Wooden sideboards with hooks – Removable wooden sideboards give you a work surface where you can conveniently place your accessories. The hooks make it easy to hang your grill tongs, ash tools, brushes and more.

Extra thick seal between the body and the lid – the high-quality thick seal ensures that your kamado is completely airtight for many years to come.



DREAMFIRE® KAMADO COMFY BRICK



Short description:

Allow your backyard cooking to reach a new level thanks to the Comfy series. These grills are designed to look modern and sleek next to your home, while the capabilities exceed your expectations. Juicy meats, caramelized vegetables, crispy pastries – with the Dreamfire Comfy kamado grill, the only limit is your own imagination! Dreamfire Comfy kamado grill is also a Estonian champion 2021 (Winner in Vanamõisa BBQ festival).

Long description:

Dreamfire Kamado Comfy ceramic body is made of extra thick and extra dense ceramics, which makes the Dreamfire Kamado Comfy particularly durable and retains heat better than other kamado type grills. Thick ceramic keeps the outside of the grill cooler than metal grills and is therefore also safer.

All new exclusive hexagonal exterior design – now with more color options than ever!

Don't settle with boring looks. With the Comfy models you can be sure that you will get a unique design while not compromising on the functionality or quality.

Specifications:

- Color: Brick
- The outer diameter of the grill is 56.5 cm, the inner diameter of the grill is 50 cm and the diameter of the grill grate is 47 cm, the total grilling area at one level 1735 cm²; with two levels of the LUX PRO system 3470 cm²
- 5 years warranty
- Exclusive design

The Dreamfire Kamado Comfy has the following features:

All new exclusive hexagonal exterior design – now with more color options than ever!

Don't settle with boring looks. With the Comfy models you can be sure that you will get a unique design while not compromising on the functionality or quality.

Dreamfire Meatspotter 100 Bluetooth thermometer – Our bluetooth thermometer Meatspotter 100 gives you the peace of mind to take care of your own things until the Comfy cooks food for you.

Dreamfire Ash tool – Makes removing the ash from the bottom drawer a breeze. Also great for arranging lit charcoal around the firebox.

Two-tiered cooking system LUX PRO – Two cooking levels plus a special bottom level for the perfect sear, 4 heavy-duty half-moon stainless steel grates, 2 ceramic half-moon heat deflectors and comfortable handles.

Extra thick stainless steel grates – Dreamfire Kamado Comfy comes with unprecedentedly thick stainless steel grill grates that act almost like cast iron in retaining heat. They also have an extremely long lifetime due to the thick material.

Stainless steel top vent with a rain cover – The Comfy top vent has a long handle with a heat-proof tip, making it easy and safe to control.

Stainless steel grill cart – Dreamfire Kamado Comfy comes with a stainless steel cart equipped with high-quality wheels, so that your kamado has a stylish home and you can move it comfortably.

Stainless steel details – Comfy comes with high-quality stainless steel (304) details such as vents, cart, handle and metal belts.

Rain cover – With Dreamfire Kamado Comfy, you get a high-quality rain cover that keeps your kamado clean and protects it from UV radiation, rain and pollen.

Wooden sideboards with hooks – Removable wooden sideboards give you a work surface where you can conveniently place your accessories. The hooks make it easy to hang your grill tongs, ash tools, brushes and more.

Extra thick seal between the body and the lid – the high-quality thick seal ensures that your kamado is completely airtight for many years to come.



DREAMFIRE® KAMADO COMFY BLUE



Short description:

Allow your backyard cooking to reach a new level thanks to the Comfy series. These grills are designed to look modern and sleek next to your home, while the capabilities exceed your expectations. Juicy meats, caramelized vegetables, crispy pastries – with the Dreamfire Comfy kamado grill, the only limit is your own imagination! Dreamfire Comfy kamado grill is also a Estonian champion 2021 (Winner in Vanamõisa BBQ festival).

Long description:

Dreamfire Kamado Comfy ceramic body is made of extra thick and extra dense ceramics, which makes the Dreamfire Kamado Comfy particularly durable and retains heat better than other kamado type grills. Thick ceramic keeps the outside of the grill cooler than metal grills and is therefore also safer.

All new exclusive hexagonal exterior design – now with more color options than ever!

Don't settle with boring looks. With the Comfy models you can be sure that you will get a unique design while not compromising on the functionality or quality.

Specifications:

- Color: Blue
- The outer diameter of the grill is 56.5 cm, the inner diameter of the grill is 50 cm and the diameter of the grill grate is 47 cm, the total grilling area at one level 1735 cm²; with two levels of the LUX PRO system 3470 cm²
- 5 years warranty
- Exclusive design

The Dreamfire Kamado Comfy has the following features:

All new exclusive hexagonal exterior design – now with more color options than ever!

Don't settle with boring looks. With the Comfy models you can be sure that you will get a unique design while not compromising on the functionality or quality.

Dreamfire Meatspotter 100 Bluetooth thermometer – Our bluetooth thermometer Meatspotter 100 gives you the peace of mind to take care of your own things until the Comfy cooks food for you.

Dreamfire Ash tool – Makes removing the ash from the bottom drawer a breeze. Also great for arranging lit charcoal around the firebox.

Two-tiered cooking system LUX PRO – Two cooking levels plus a special bottom level for the perfect sear, 4 heavy-duty half-moon stainless steel grates, 2 ceramic half-moon heat deflectors and comfortable handles.

Extra thick stainless steel grates – Dreamfire Kamado Comfy comes with unprecedentedly thick stainless steel grill grates that act almost like cast iron in retaining heat. They also have an extremely long lifetime due to the thick material.

Stainless steel top vent with a rain cover – The Comfy top vent has a long handle with a heat-proof tip, making it easy and safe to control.

Stainless steel grill cart – Dreamfire Kamado Comfy comes with a stainless steel cart equipped with high-quality wheels, so that your kamado has a stylish home and you can move it comfortably.

Stainless steel details – Comfy comes with high-quality stainless steel (304) details such as vents, cart, handle and metal belts.

Rain cover – With Dreamfire Kamado Comfy, you get a high-quality rain cover that keeps your kamado clean and protects it from UV radiation, rain and pollen.

Wooden sideboards with hooks – Removable wooden sideboards give you a work surface where you can conveniently place your accessories. The hooks make it easy to hang your grill tongs, ash tools, brushes and more.

Extra thick seal between the body and the lid – the high-quality thick seal ensures that your kamado is completely airtight for many years to come.



DREAMFIRE® KAMADO COMFY GRAY



Short description:

Allow your backyard cooking to reach a new level thanks to the Comfy series. These grills are designed to look modern and sleek next to your home, while the capabilities exceed your expectations. Juicy meats, caramelized vegetables, crispy pastries – with the Dreamfire Comfy kamado grill, the only limit is your own imagination! Dreamfire Comfy kamado grill is also a Estonian champion 2021 (Winner in Vanamõisa BBQ festival).

Long description:

Dreamfire Kamado Comfy ceramic body is made of extra thick and extra dense ceramics, which makes the Dreamfire Kamado Comfy particularly durable and retains heat better than other kamado type grills. Thick ceramic keeps the outside of the grill cooler than metal grills and is therefore also safer.

All new exclusive hexagonal exterior design – now with more color options than ever!

Don't settle with boring looks. With the Comfy models you can be sure that you will get a unique design while not compromising on the functionality or quality.

Specifications:

- Color: Gray
- The outer diameter of the grill is 56.5 cm, the inner diameter of the grill is 50 cm and the diameter of the grill grate is 47 cm, the total grilling area at one level 1735 cm²; with two levels of the LUX PRO system 3470 cm²
- 5 years warranty
- Exclusive design

The Dreamfire Kamado Comfy has the following features:

All new exclusive hexagonal exterior design – now with more color options than ever!

Don't settle with boring looks. With the Comfy models you can be sure that you will get a unique design while not compromising on the functionality or quality.

Dreamfire Meatspotter 100 Bluetooth thermometer – Our bluetooth thermometer Meatspotter 100 gives you the peace of mind to take care of your own things until the Comfy cooks food for you.

Dreamfire Ash tool – Makes removing the ash from the bottom drawer a breeze. Also great for arranging lit charcoal around the firebox.

Two-tiered cooking system LUX PRO – Two cooking levels plus a special bottom level for the perfect sear, 4 heavy-duty half-moon stainless steel grates, 2 ceramic half-moon heat deflectors and comfortable handles.

Extra thick stainless steel grates – Dreamfire Kamado Comfy comes with unprecedentedly thick stainless steel grill grates that act almost like cast iron in retaining heat. They also have an extremely long lifetime due to the thick material.

Stainless steel top vent with a rain cover – The Comfy top vent has a long handle with a heat-proof tip, making it easy and safe to control.

Stainless steel grill cart – Dreamfire Kamado Comfy comes with a stainless steel cart equipped with high-quality wheels, so that your kamado has a stylish home and you can move it comfortably.

Stainless steel details – Comfy comes with high-quality stainless steel (304) details such as vents, cart, handle and metal belts.

Rain cover – With Dreamfire Kamado Comfy, you get a high-quality rain cover that keeps your kamado clean and protects it from UV radiation, rain and pollen.

Wooden sideboards with hooks – Removable wooden sideboards give you a work surface where you can conveniently place your accessories. The hooks make it easy to hang your grill tongs, ash tools, brushes and more.

Extra thick seal between the body and the lid – the high-quality thick seal ensures that your kamado is completely airtight for many years to come.



DREAMFIRE® KAMADO TRENDY HOME (STAND ALONE)



Short description:

Dreamfire Kamado Trendy Home is the ideal choice for smaller families or groups of people.

Trendy models are our most popular kamados, as they offer amazing price-to-performance ratio. The Trendy offers high class performance at a fraction of the cost, making it the perfect choice for most home users.

Long description:

Dreamfire Kamado Trendy Home is the best kamado among the competition, here are some of it's features:

Extra thick stainless-steel grate – Dreamfire Kamado Trendy Home comes with an unprecedentedly thick stainless steel grill grate that act almost like cast iron in retaining heat. It also has an extremely long lifetime due to the thick material. Stainless steel grates are easy to clean, do not bend and do not melt.

Stainless steel details – Trendy Home comes with high-quality stainless steel (304) details such as vents, cart, handle, and metal belts.

Extra thick seal between the body and the lid – the high-quality thick seal ensures that your kamado is completely airtight for many years to come.

Extra thick and dense ceramics – Dreamfire Kamado Trendy Home ceramic body is made of extra thick and extra dense ceramics, which makes the Dreamfire Kamado Trendy Home particularly durable and retains heat better than other kamado type grills.

Wooden sideboards with hooks – Removable wooden sideboards give you a work surface where you can conveniently place your accessories. The hooks make it easy to hang your grill tongs, ash tools, brushes and more.

Large assortment of accessories available – Dreamfire offers many different types of accessories for the Dreamfire Kamado Trendy Home to make your grilling experience even better, such as cooking systems, covers, thermometers etc.

Specifications:

- Color: Dark green
- Cooking area diameter: 37 cm (14,5")
- Outer diameter of the grill: 43 cm (17")
- Up to 2 years warranty



DREAMFIRE®
KAMADO TRENDY HOME
(WITH UPGRADE KIT)

Description :

Dreamfire® Kamado Trendy Upgrade kit contains cart and side tables with hooks for Trendy Home.

Lift your Dreamfire®Kamado Trendy home for a new level and easily move it around in your terrace.

Side tables help you to lift your togs and giving you a extra space near your grill.

Includes: stainless steel cart with wheels + side tables set.



DREAMFIRE® KAMADO TRENDY CLASSIC



Short description:

Dreamfire Kamado Trendy Classic is the ideal choice for most families and average to large groups of people.

Trendy models are our most popular kamados, as they offer amazing price-to-performance ratio. The Trendy offers high class performance at a fraction of the cost, making it the perfect choice for most home users.

Long description:

Dreamfire Kamado Trendy Classic is the best kamado among the competition, here are some of it's features:

Extra thick stainless-steel grate – Dreamfire Kamado Trendy Classic comes with an unprecedentedly thick stainless steel grill grate that act almost like cast iron in retaining heat. It also has an extremely long lifetime due to the thick material. Stainless steel grates are easy to clean, do not bend and do not melt.

Stainless steel details – Dreamfire Kamado Trendy Classic comes with high-quality stainless steel (304) details such as vents, cart, handle, and metal belts.

Extra thick seal between the body and the lid – the high-quality thick seal ensures that your kamado is completely airtight for many years to come.

Extra thick and dense ceramics – Dreamfire Kamado Trendy Classic ceramic body is made of extra thick and extra dense ceramics, which makes the Dreamfire Kamado Trendy Home particularly durable and retains heat better than other kamado type grills.

Wooden sideboards with hooks – Removable wooden sideboards give you a work surface where you can conveniently place your accessories. The hooks make it easy to hang your grill tongs, ash tools, brushes and more.

Large assortment of accessories available – Dreamfire offers many different types of accessories for the Dreamfire Kamado Trendy Classic to make your grilling experience even better, such as cooking systems, covers, thermometers etc.

Specifications:

- Color: Dark green
- Cooking area diameter: 48 cm (19")
- Outer diameter of the grill: 56 cm (22")
- Up to 2 years warranty



DREAMFIRE® KAMADO TRENDY MAX



Short description:

Dreamfire® Kamado Trendy Max is the ideal choice for big families, restaurants and large groups of people. It also popular for small meat industries and home business users.

Trendy models are our most popular kamados, as they offer amazing price-to-performance ratio. The Trendy offers high class performance at a fraction of the cost, making it the perfect choice for most home users.

Long description:

Dreamfire® Kamado Trendy Max is the best kamado among the competition, here are some of it's features:

Extra thick stainless-steel grate – Dreamfire® Kamado Trendy Max comes with an unprecedentedly thick stainless steel grill grate that act almost like cast iron in retaining heat. It also has an extremely long lifetime due to the thick material. Stainless steel grates are easy to clean, do not bend and do not melt.

Stainless steel details – Dreamfire® Kamado Trendy Max comes with high-quality stainless steel (304) details such as vents, cart, handle, and metal belts.

Extra thick seal between the body and the lid – the high-quality thick seal ensures that your kamado is completely airtight for many years to come.

Extra thick and dense ceramics – Dreamfire® Kamado Trendy Max ceramic body is made of extra thick and extra dense ceramics, which makes the Dreamfire Kamado Trendy Home particularly durable and retains heat better than other kamado type grills.

Wooden sideboards with hooks – Removable wooden sideboards give you a work surface where you can conveniently place your accessories. The hooks make it easy to hang your grill tongs, ash tools, brushes and more.

Large assortment of accessories available – Dreamfire offers many different types of accessories for the Dreamfire® Kamado Trendy Max to make your grilling experience even better, such as cooking systems, covers, thermometers etc.

Specifications:

- Color: Dark green
- Cooking area diameter: 61 cm (24")
- Outer diameter of the grill: 68.5 cm (27")
- Up to 2 years warranty





DREAMFIRE® COOKING SYSTEM LUX PRO

Description:

Dreamfire® cooking system LUX PRO is two-tiered cooking system (Two cooking levels plus a special bottom level for the perfect sear, 4 heavy-duty half-moon stainless steel grates, 2 ceramic half-moon heat deflectors and comfortable handles).

The heat deflectors are made to block the direct heat coming from the firebox and make it possible to cook things, that are meant to cook with the indirect method.

The extra-thick stainless-steel grates with 2 levels make it more versatile than ever. You can cook on two levels at once for more room or make your grilling area into two zones.

Use different combinations for direct heat, half heat or slow roast. With a Dreamfire® cooking system LUX PRO your cooking is never boring, and you can use dozens of different options how you grill.

Comfortable with Dreamfire® models: Trendy Classic and all Comfy models



DREAMFIRE® COOKING SYSTEM LUX PRO FOR TRENDY MAX

Description:

Dreamfire® cooking system LUX PRO is two-tiered cooking system (Two cooking levels plus a special bottom level for the perfect sear, 4 heavy-duty half-moon stainless steel grates, 2 ceramic half-moon heat deflectors and comfortable handles).

The new LUX PRO is perfect for grilling enthusiasts who like to take their experience to the next level. Using this accessory, you can take the heat down and treat the grill as a smoker, a BBQ or even a pastry oven.

The heat deflectors are made to block the direct heat coming from the firebox and make it possible to cook things, that are meant to cook with the indirect method. The extra-thick stainless steel grates with 2 levels make it more versatile than ever. You can cook on two levels at once for more room or make your grilling area into two zones. Use different combinations for direct heat, half heat or slow roast.

Comfortable with Dreamfire® models: Trendy Max



DREAMFIRE® CERAMIC HEAT DEFLECTOR (SIZE XL) WITH LEGS

Description:

Dreamfire® ceramic heat deflector with legs is good to use when you want more stability while you are cooking. You can use it in many different locations inside of your kamado grill. Use it directly on the charcoal and you getting nice sear and roasting area. Put it on your Lux PRO rack and give extra layer for protection and even heatflow. Cook pastries on the surface or make a cheese cake. Your fantasy is the limit.

Dimensions: diameter 44 cm, height 6 cm

Comfortable with Dreamfire® models: Trendy Max



DREAMFIRE® CERAMIC HEAT DEFLECTOR (SIZE L) WITH LEGS

Description:

Dreamfire® ceramic heat deflector with legs is good to use when you want more stability while you are cooking. You can use it in many different locations inside of your kamado grill. Use it directly on the charcoal and you getting nice sear and roasting area. Put it on your Lux PRO rack and give extra layer for protection and even heatflow. Cook pastries on the surface or make a cheese cake. Your fantasy is the limit.

Dimensions: Diameter 33 cm, height 4 cm

Comfortable with Dreamfire® models: Trendy Home



DREAMFIRE® KAMADO TRENDY HOME HEAT DEFLECTOR

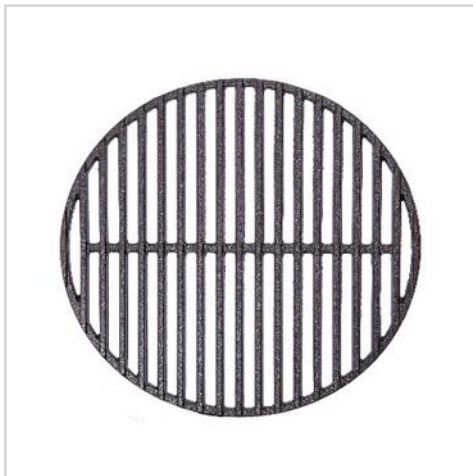
Description:

Dreamfire® Kamado Trendy Home heat deflector is helping you to cook meats and other products for a longer time in lower temperatures. It protects food from direct heat and lets you cook with a knowing that your result is moist and juicy. This accessory puts your cooking experience to the next level.

Includes:

- 1x Round heat deflector
- 1x Rack for the deflector and grill grate

Comfortable with Dreamfire® models: Trendy Home



DREAMFIRE® CAST IRON GRATE CLASSIC (SIZE L)

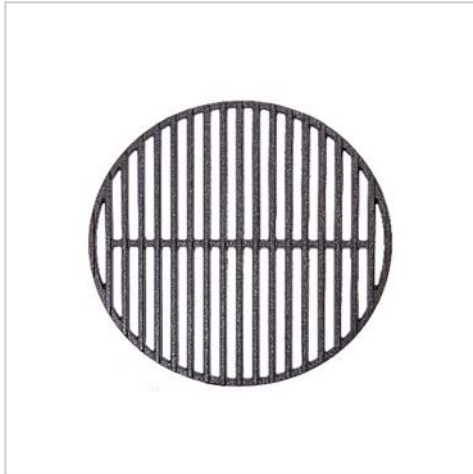
Description:

Porcelain enameled cast iron grates are non-stick, easily cleanable and divide the heat better than any other. Thanks to the great heat accumulation and conduction properties of cast iron, you can use this grate to cook steaks with unbeatable crusty outer layer, while leaving all the juiciness inside.

Cast iron is good to use when you want nice grill marks on your food.

Dimensions: diameter 47 cm

Comfortable with Dreamfire® models: Trendy classic, Comfy series and Smokey II



DREAMFIRE® CAST IRON GRATE (SIZE S)

Description:

Porcelain enameled cast iron grates are non-stick, easily cleanable and divide the heat better than any other. Thanks to the great heat accumulation and conduction properties of cast iron, you can use this grate to cook steaks with unbeatable crusty outer layer, while leaving all the juiciness inside.

Cast iron is good to use when you want nice grill marks on your food.

Dimensions: diameter 32 cm

Comfortable with Dreamfire® models: Trendy Home



DREAMFIRE® CAST IRON HALF MOON GRATE

Description:

Porcelain enameled cast iron grates are non-stick, easily cleanable and divide the heat better than any other. Thanks to the great heat accumulation and conduction properties of cast iron, you can use this grate to cook steaks with unbeatable crusty outer layer, while leaving all the juiciness inside.

Cast iron is good to use when you want nice grill marks on your food. Use with Lux Pro system and you can combine even more cooking options for your Dreamfire® kamado.

Dimensions: 46,5 x 24 x 1,5 cm

Comfortable with Dreamfire® models: Trendy Classic, Comfy series, Smokey II



DREAMFIRE® CAST IRON HALF MOON GRIDDLE (SIZE L)

Description:

Porcelain enameled cast iron griddles are non-stick, easily cleanable and divide the heat better than any other. Thanks to the great heat accumulation and conduction properties of cast iron, you can use this grate to cook steaks with unbeatable crusty outer layer, while leaving all the juiciness inside. Also perfect for cooking vegetables and other smaller dishes, which might otherwise fall through the grate.

Dimensions: 46,5 x 24 x 1,5 cm

Comfortable with Dreamfire® models: Trendy Classic, Comfy series, Smokey II



DREAMFIRE® GRILL EXPANDER (SIZE M)

Description:

This product is especially designed to fit perfectly on the grate, which helps you easily get more out of your grill. Small curves under the expander will help grate not to move around. Expands the cooking area of your grill up to 50% and gives you the possibility to keep food warm after it's ready. Create extra levels and be a master of your Dreamfire® kamado.

Dimensions: width 28 cm, height 8 cm

Comfortable with Dreamfire® models: all models



DREAMFIRE® GRILL EXPANDER (SIZE L)

Description:

This product is especially designed to fit perfectly on the grate, which helps you easily get more out of your grill. Small curves under the expander will help grate not to move around. Expands the cooking area of your grill up to 50% and gives you the possibility to keep food warm after it's ready. Create extra levels and be a master of your Dreamfire® kamado.

Dimensions: width 39 cm, height 10 cm

Comfortable with Dreamfire® models: Trendy classic, Comfy series, Smokey II, Trendy Max

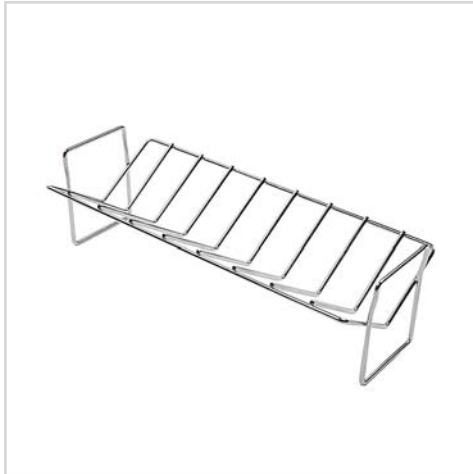


DREAMFIRE® PIZZA STONE (SIZE 37 CM)

Description:

Divides the heat evenly throughout the grill and absorbs leftover moisture from the pizza. Helps to achieve the perfect desired crusty base while preserving all the delicious taste and aroma. Thanks to the ceramic pizza stone together with a Dreamfire grill, it is possible for anyone to cook restaurant-quality pizzas in the comfort of their home! Also great accessory to bake pies, tarts or other pastries.

Comfortable with Dreamfire® models: Trendy Classic, Trendy Max, all Comfy models, Smokey 2



DREAMFIRE® RIB RACK

Description:

This rack gives you the possibility to cook a greater number of ribs at once. The ribs can be placed next to each other on the rack in an upright position, which helps to cook the meat more evenly and helps you cook for a larger crowd thanks to a larger capacity. It is also helping you to cook various other foods when you don't want to place them directly to a grilling surface. Also great tool when you want to do smoked foods.

Dimensions: length 40* width 17* height 12 cm

Comfortable with Dreamfire® models: Trendy Classic, Trendy Max, all Comfy models, Smokey 2



DREAMFIRE® MEATSPOTTER 100 BLUETOOTH THERMOMETER

Description:

Our Bluetooth thermometer Meatspotter 100 gives you the peace of mind to take care of your own things until the grills cooks food for you. If the food is ready or the grill temperature is out of your preset range, the phone's app will let you know. The easy-to-use app and symbiosis of a large backlit screen make your grilling experience more comfortable than ever before. You can watch what is happening comfortably from your phone or you can see the temperatures on the large backlit screen next to the grill. Meatspotter 100 comes with 2 temperature probes and can use max 6 probes at once. Make your cooking easy and fun with our Dreamfire® Meatspotter 100.



DREAMFIRE® MEATSPOTTER 100 BLUETOOTH THERMOMETER EXTRA PROBE

Description:

Extra probe for Dreamfire®Meatspotter 100. Grills multiple foods at once and control temperature like a professional chef. Easy to clean. Heat resistant cable.

Dimensions: Ø 2 mm x 106 mm



DREAMFIRE® MEATSPOTTER FOLDABLE

Description:

Dreamfire® foldable is one of the fastest and most accurate foldable thermometers on the market. It will only take a few seconds to get an accurate reading of the temperature in your food so you never have to do any guesswork while cooking again. Meatspotter Foldable has a rating of IP68 which means it's perfect for usage whatever the weather outside is.

The compact design makes it easy to take with you and it works right out of the box. Just flip out the probe, insert the tip into your food and you will get a result in seconds. Meatspotter Foldable also has backlight function to make it easier to use independent of the light conditions. When you're done just simply flip the probe back and the thermometer will power off automatically.

Dimensions: 155 mm x 44 mm x 24 mm



DREAMFIRE® ALUMINIUM PIZZA PEEL

Description:

When making pizza this tool is necessary for your outside kitchen. Make pizzas, pastrys, breads like professional chef. Dreamfire® aluminum pizza peel has a comfortable wooden handle and is easy to slide under a pizza or any other baked food. Long wooden handle keeps you away from the blazing fire.

Dimensions: Length with handle: 65.5 cm, Width: 30 cm



DREAMFIRE® FIRE PROOF MAT

Description:

Not only does it look stylish, but it is also highly functional! Put this mat under your grill and you will have no worries of ruining your terrace with ash, grease drippings or in the worst-case scenario, hot coals – it is fireproof and will protect your terrace.

Dimensions: diameter 92 cm



DREAMFIRE® HEAT RESISTANT GLOVE

Description:

Dreamfire® heat resistant gloves are a necessity for all grill masters. The heat resistant gloves protect you and the silicone texture makes it easy to get a good grip on all your grilling accessories.

Dreamfire® gloves offer heat resistance up to 650°C. They prevent burns and protect your hands handling hot accessories. The gloves have 100% cotton lining and they are tightly sewn and comfortable. Washable in a washing machine.

Dimensions: One Size, length 27 cm



DREAMFIRE® EXTRA LONG HEAT RESISTANT GLOVE

Description:

Dreamfire® Extra-long heat resistant gloves are a necessity for all grill masters. The heat resistant gloves protect you and the silicone texture makes it easy to get a good grip on all your grilling accessories.

Dreamfire® gloves offer heat resistance up to 650°C. They prevent burns and protect your hands handling hot accessories. The gloves have 100% cotton lining and they are tightly sewn and comfortable. Washable in a washing machine.

Dimensions: One Size, length 34 cm



DREAMFIRE® STAINLESS STEEL GRIPPERS

Description:

Special grippers built to lift hot grates, griddles and other accessories on your Dreamfire grill without burning your hands or wearing gloves.

Dimensions: length 20 cm



DREAMFIRE® CLEANING BRUSH SAFE WITH BOTTLE OPENER

Description:

Dreamfire® new stainless steel brush Safe will make your life easy, you can clean your grilling grates fast and safely. There is no worries for small brush parts to come loose, since the metal brush is in one piece and nothing falls out. There is a scraper in one side and to make it extra cool, there is a bottle opener on the handle.

Dimensions: 45 cm lenght



DREAMFIRE® ASH COLLECTING TOOL

Description:

Specialized ash tool to help you conveniently mix the charcoal and clean the grill, if necessary.

Dimensions: Length 30 cm



DREAMFIRE® WOODEN CUTTING BOARD

Description:

Dreamfire® wooden cutting board measures 30 cm by 40 cm and is 2 cm thick. Dreamfire® wooden cutting board is reversible and can be used on both sides. It is a sustainable alternative to plastic cutting boards and is easier on the knives than plastic cutting boards. It fits to all Dreamfire®kamado side tables.

Dimensions: 30 cm x 40 cm x 2 cm



DREAMFIRE® BIG LUMP ALDER CHARCOAL 50 L

Description:

Dreamfire® big lump alder charcoal is made for restaurants and home use. Dreamfire alder charcoal is ideal for grilling and smoking and is made according to the highest standards. Dreamfire alder charcoal is ideal for both smaller and bigger grills and smokers. The charcoal is 100% natural and has no extra additives so it is totally safe for cooking and can even be used to cook directly on the charcoal. Big lumps make it easy to control the temperature throughout the cooking process. Dreamfire alder charcoal lights up fast and there is no need to use extra chemicals like lighter fluid. Dreamfire alder charcoal gives out a nice smokey BBQ taste. Produces very little ash.



DREAMFIRE® BIG LUMP OAK CHARCOAL 8 KG

Description:

Dreamfire® big lump oak charcoal is made for restaurants and home use. Thanks to oak's high density it lasts almost twice as long as the usual alder charcoal and manages to get up to higher temperatures (+400°C). In an average size kamado you can now smoke for more than 20 hours without the need for adding new charcoal.

Big lumps make it very easy to control in a kamado or any other type of grill. It produces very little ash and lights up easily without using artificial lighter fluids. Dreamfire oak charcoal is 100% natural and does not have any chemical ingredients, thanks to which it gives a very smooth and smoky BBQ taste to your food.



DREAMFIRE® PREMIUM CANADIAN OAK SMOKING CUBES 600 G

Description:

Dreamfire® premium Canadian oak smoking cubes are great for smoking and BBQ.

Canadian oak cubes are great for smoking pork, chicken, beef, or lamb. They leave medium smoke flavor and little sweet taste to background.

How to use: Start your charcoal and add 2-3 cubes. Enjoy.



DREAMFIRE® APPLE SMOKING CHUNKS

Description:

Dreamfire® apple smoking chunks are perfect for smoking. Made of dried apple trees.

Apple chunks will give a nice intermediate smoke with nice color. Perfect for any kind of meats and fish. Try with ribs!

How to use: Soak dried chunks in cold water approximately 1 hour before smoking. Light your charcoal and when they are good to go, add chunks on the charcoal. For a best result lay them different places to give even smoke. For a nice and smoky result start about 2-3 chunks.

Using TIP: instead of soaking chunks in the water use beer, wine or any other liquid. Try different versions and become a master of smoked foods.

One bag: 2 kg



DREAMFIRE® CHERRY SMOKING CHUNKS

Description:

Dreamfire® cherry smoking chunks are perfect for smoking. Cherry chunks will give a nice mild smoke with little sweetness. Perfect for chicken and fish.

Made of dried cherry trees.

How to use: Soak dried chunks in cold water approximately 1 hour before smoking. Light your charcoal and when they are good to go, add chunks on the charcoal. For a best result lay them different places to give even smoke. For a nice and smoky result start about 2-3 chunks.

One bag: 2 kg



DREAMFIRE® ALDER SMOKING CHUNKS

Description:

Dreamfire® alderwood smoking wood chunks are made of dried alder wood. Alder chunks are perfect for almost any food leaving a subtle/mild smoke taste.

How to use: Soak dried chunks in cold water approximately 1 hour before smoking. Light your charcoal and when they are good to go, add chunks on the charcoal. For a best result lay them different places to give even smoke. For a nice and smoky result start about 2-3 chunks.

One bag: 2 kg



DREAMFIRE® OAK SMOKING CHUNKS

Description:

Dreamfire® smoking wood chunks are made of dried oak. Oak chunks leave a strong smokey taste to your food. Suitable for most of the meats and chicken. Try with vegetables.

How to use: Soak dried chunks in cold water approximately 1 hour before smoking. Light your charcoal and when they are good to go, add chunks on the charcoal. For a best result lay them different places to give even smoke. For a nice and smoky result start about 2-3 chunks.



DREAMFIRE® WHISKEY BARREL SMOKING CHUNKS

Description:

A favorite among the Dreamfire team!

Chunks of whiskey barrels for smoking. Use it to give your food a strong and mildly sweet flavor while cooking. Use for chicken, pork or game.

How to use: Soak dried chunks in cold water approximately 1 hour before smoking. Light your charcoal and when they are good to go, add chunks on the charcoal. For a best result lay them different places to give even smoke. For a nice and smoky result start about 2-3 chunks.

One bag: 2 kg



DREAMFIRE® WINE BARREL SMOKING CHUNKS

Description:

Dreamfire® wine barrel chunks for smoking. Use it to give your food a strong and mildly sweet flavor while cooking. Use for stronger taste meats, game, beef.

How to use: Soak dried chunks in cold water approximately 1 hour before smoking. Light your charcoal and when they are good to go, add chunks on the charcoal. For a best result lay them different places to give even smoke. For a nice and smoky result start about 2-3 chunks.

One bag: 2 kg



DREAMFIRE® RUM BARREL SMOKING CHUNKS

Description:

A new favorite among the Dreamfire team!

Chunks of rum barrels for smoking. Use it to give your food a strong and mildly sweet flavor while cooking. Use for all kind of meats, especially good with pork!

How to use: Soak dried chunks in cold water approximately 1 hour before smoking. Light your charcoal and when they are good to go, add chunks on the charcoal. For a best result lay them different places to give even smoke. For a nice and smoky result start about 2-3 chunks.

One bag: 2 kg



DREAMFIRE® ALDER LARGE GRILLING/SMOKING PLANK

Description:

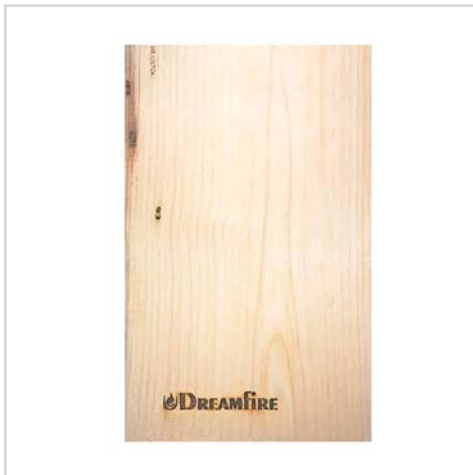
Dreamfire® extra-large grilling plank is about 15-25 cm wide, about 40 cm high and about 2.5-3 cm thick. It is made of dry alder wood and is perfect for grilling fish on any type of grill creating a nice smoky flavor. Thanks to its thickness it can be reused multiple times.

Just pair with fresh salmon, any fish, seafood, vegetables, pizza, and more! You can fit several servings on one plank. Our planks are oven, smoking, and grill safe so you can get creative and discover new flavors!

How to use: Soak dried plank in cold water approximately 1 hour before smoking. Light your charcoal and wait until they are ready to go. Take out heat deflectors and leave lower grate on the system.

Place food on the plank and move plank on the grate. Use Meatspotter 100 to see temperature inside your food. Close the lid. Your plank has to get enough direct heat that it will start to smoke (not burning).

Dimensions: 40 L* 20 W* 3 T



DREAMFIRE® CEDAR GRILLING/SMOKING PLANK

Description:

Dreamfire® extra thick cedar plank. Perfect for cooking fish and small cuts of meat. The plank will start burning from the bottom and will act as a heat deflector, while also giving your dish a nice smokey taste!

Length 25-26 cm, width 15-25 cm, thickness ~2 cm.

How to use: Soak dried plank in cold water approximately 1 hour before smoking. Light your charcoal and wait until they are ready to go. Take out heat deflectors and leave lower grate on the system.

Place food on the plank and move plank on the grate. Use Meatspotter 100 to see temperature inside your food. Close the lid. Your plank has to get enough direct heat that it will start to smoke (not burning) It can be used multiple times.

Dimensions: 25 L* 20 W* 2 T



DREAMFIRE® DENIM APRON WITH A FRONT POCKET

Description:

Dreamfire® denim apron is the perfect apron for grilling. It is made of thick (300 g/m²) denim which will protect your clothes while preparing food. The apron features an adjustable neck strap, a belt and large pockets. The unisex design makes it perfect for both men and women. The spacious front pockets let you easily carry all that you need while preparing food – from your phone to rubs, seasoning packets or meat thermometers.



DREAMFIRE® SOFTSHELL BLACK/SILVER

Description:

Dreamfire® softshell is light, weather and windproof. It keeps you warm when you are not dealing with a perfect weather. Black colour is not showing stains and it looks just great on any grillmaster.



DREAMFIRE® CAP

Description:

Dreamfire® Either it is sunny or raini outside, Dreamfire@cap is helping you and keeping you happy. Black colour is stylish and you can wear it any time, epecialy when you cook.

Size can be regulated from a backstrap.



DREAMFIRE® GRILL COVER S

Description:

Protects the grill from the elements. Offers protection from rain, wind, dust and dirt. Comfortable and easy to use. With UV-protection to offer a longer lifetime.

Fits to Grill: up to 45 cm diameter.



DREAMFIRE® GRILL COVER CLASSIC

Description:

Protects the grill from the elements. Offers protection from rain, wind, dust and dirt. Comfortable and easy to use. With UV-protection to offer a longer lifetime.

Fits to Grill: up to 45 – 62 cm diameter.



DREAMFIRE® GRILL COVER XL

Description:

Protects the grill from the elements. Offers protection from rain, wind, dust and dirt. Comfortable and easy to use. With UV-protection to offer a longer lifetime.

Fits to Grill: up to 63 – 74 cm diameter.



POEM FOR DREAMFIRE®

When you are Trendy, that means you are a cool
Smokey or Comfy means you are not fool
Either you Classic or sometimes a Max
Under your Home, just grill and relax

When grilling is done, you are happy and blessed
Let Dreamfire help, but how, you might guess
Whatever you cook, or whatever desire
Always stay cool, and use a Dreamfire





Edelgran OÜ

Veerme 23

Tallinn 11625

Estonia

Customer service can be reached at:

info@dreamfiregrill.com

+372 53 269 289

www.dreamfiregrill.com